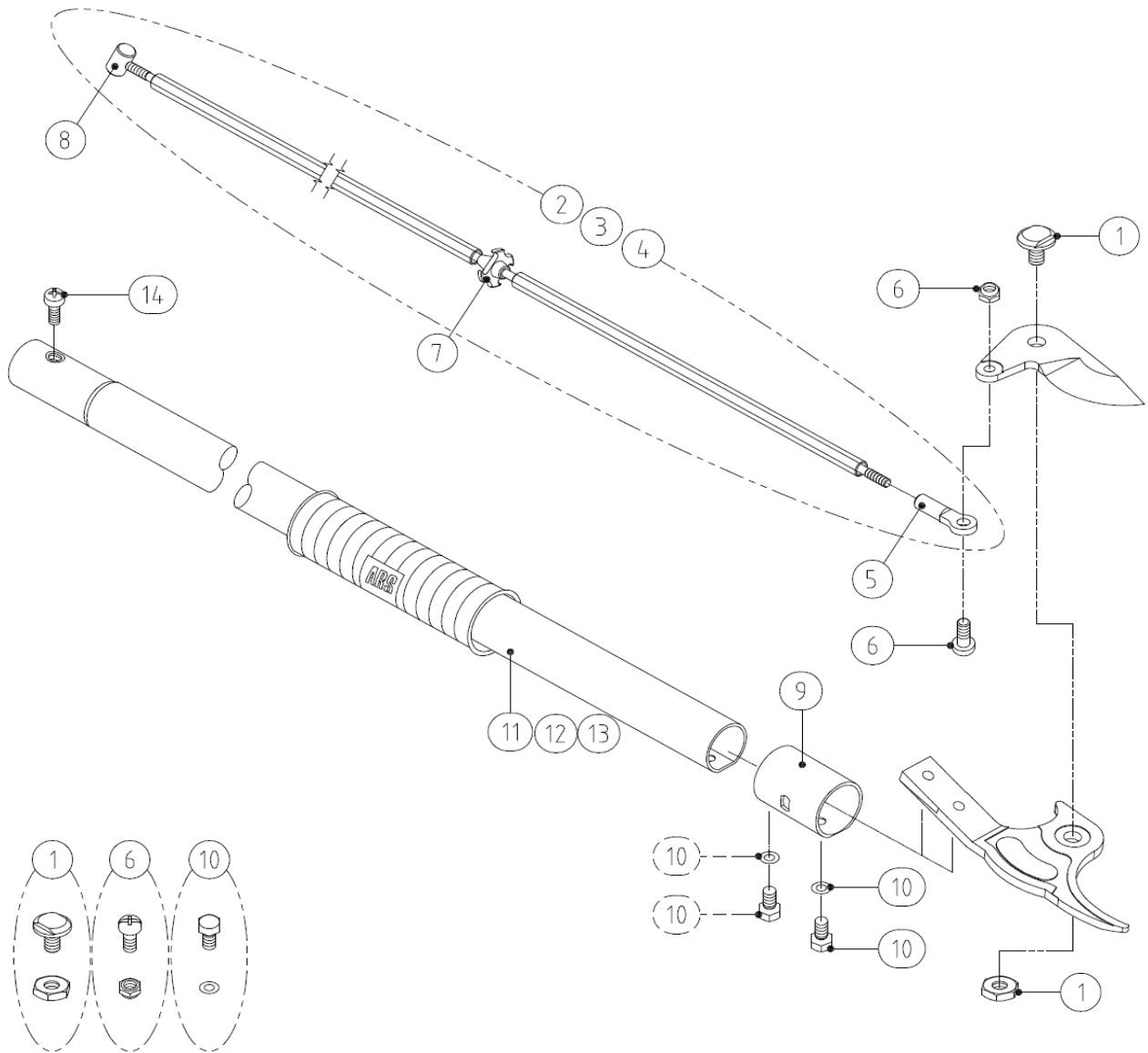
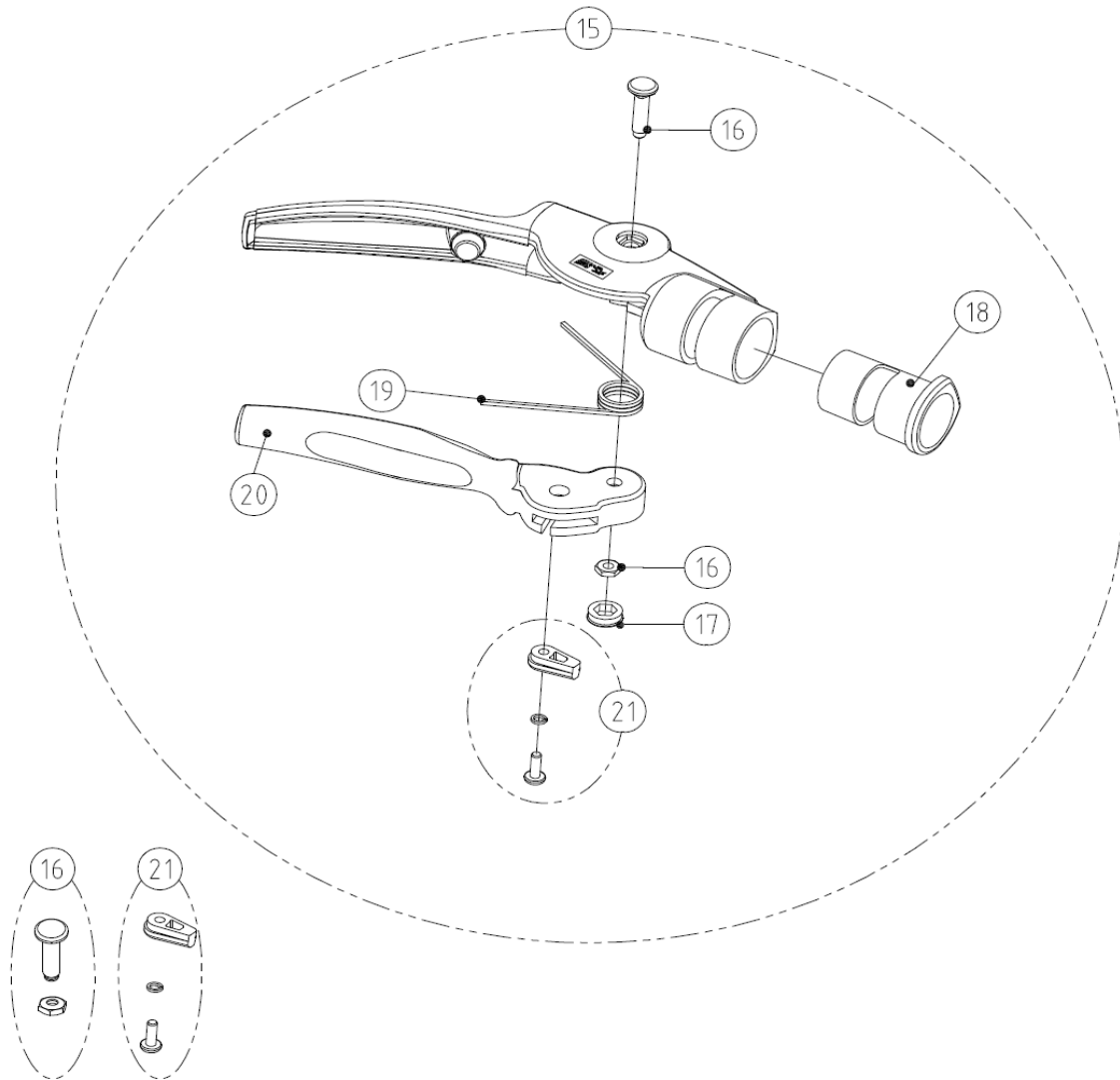


180LR-1.2/1.8/2.1



PARTS NO.	SPECIFICATION	PARTS NO.	SPECIFICATION
①	SP-216 BOLT & NUT FOR 180L/LR SERIES		
②	SP-446 ROD SET FOR 180LR-1.2		
③	SP-447 ROD SET FOR 180LR-1.8		
④	SP-448 ROD SET FOR 180LR-2.1		
⑤	SP-264 ROD CAP FOR 180L/LR SERIES		
⑥	SP-259 ROD FIXING BOLT & NUT FOR 180L/LR SERIES		
⑦	SP-235 ROD HOLDING DISK FOR 180L/LR SERIES		
⑧	SP-338 ROD FIXING PART FOR ZR/160R/180R/ 180LR SERIES		
⑨	SP-435 BLADE FIXING COLLAR FOR 180L/LR SERIES		
⑩	SP-239 BLADE HOLDING BOLT & WASHER FOR 180L/ LR SERIES (1 PC EACH)		
⑪	SP-449 PIPE FOR 180LR-1.2 WITH MIDDLE GRIP		
⑫	SP-450 PIPE FOR 180LR-1.8 WITH MIDDLE GRIP		
⑬	SP-451 PIPE FOR 180LR-2.1 WITH MIDDLE GRIP		
⑭	SP-452 STOP SCREW FOR THE HANDLE OF 180LR SERIES		

180LR-1.2/1.8/2.1



PARTS NO.	SPECIFICATION	PARTS NO.	SPECIFICATION
⑮	SP-348 GRIP SET FOR ZR/160R/180R/180LR SERIES		
⑯	SP-379 CENTER BOLT & NUT FOR GRIP OF ZR/160R/180R/180LR SERIES		
⑰	SP-414 NUT CAP FOR THE HANDLE OF ZR/160R/180R/180LR SERIES		
⑱	SP-339 SLEEVE FOR THE GRIP OF ZR/160R/180R/180LR SERIES		
⑲	SP-41 SPRING FOR LONG REACH PRUNER (INC ZR SERIES,150-0.6) (1 PC)		
⑳	SP-349 GRIP LEVER ONLY FOR ZR/160R/180R/180LR SERIES		
㉑	SP-380 HANDLE LATCH LOCK SET FOR ZR/160R/180R/180LR SERIES		